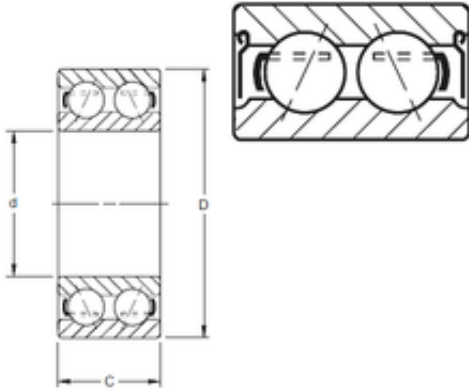


80 mm x 140 mm x 47,62 mm TIMKEN 5216DD Angular Contact Ball Bearings

Bearing No. 5216DD



5216DD Bearing 2D drawings and 3D CAD models

Size	80x140x47.62 mm
Bore Diameter	80 mm
Outer Diameter	140 mm
Width	47,62 mm
d	80 mm
D	140 mm
B	47,62 mm
C	47,62 mm
Angle (°)	30 °
Weight	2,867 Kg
Basic dynamic load rating (C)	168 kN